

Masport®

FREESTANDING WOOD FIRES

GRANDVIEW (NZ & AUST)

		NZ	AUST	
Grandview	Charcoal VHT S2	_____	995939	Page 2
	Charcoal VHT S3	995981	_____	Page 2
Fan	Three Speed - DE	995557	995557	Page 6
Flue	175mm Hi Therm - 4m	SFP1003	_____	Page 7
	175mm (7" Super Single)	_____	A35615	Page 8

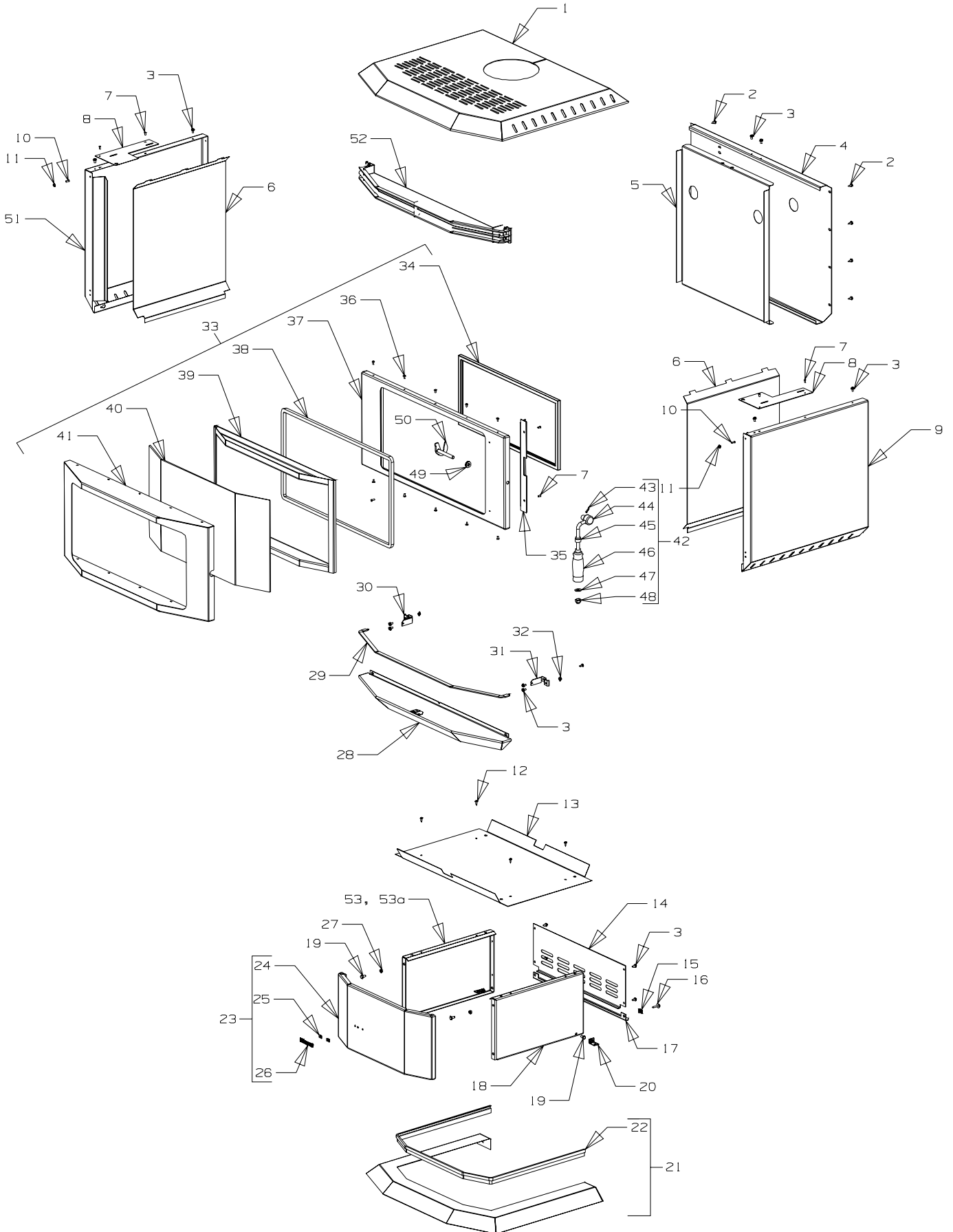
Grandview VHT S2: From Serial Number 3017413

Grandview VHT S3: From Serial Number 3041083

Grandview VHT S2: Month and Year of Manufacture: January 2000

Grandview VHT S3: Month and Year of Manufacture: September 2005

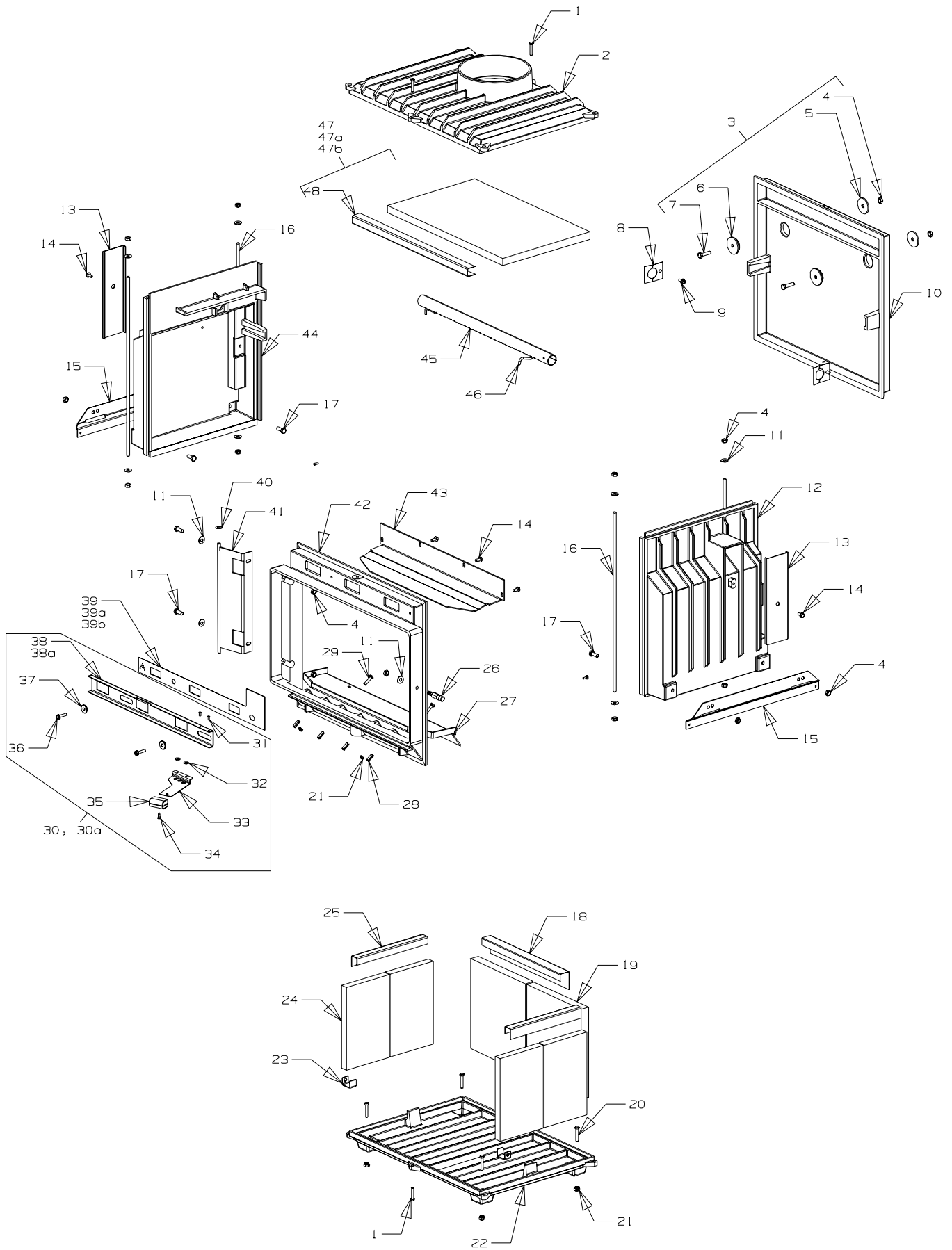






Item No	Part No	Description	Qty	Item No	Part No	Description	Qty
1	795521	Panel-Top - Charcoal VHT	1	27	501682	Nut, M6	19
2	503259	Screw, S/T 10 x .4	8	28	795525	Panel-Front - Charcoal VHT	1
3	503630	Screw; S/T 10 x .4	28	29	795629	Blade-Grille, Lower - Silver	1
4	795569	Panel-Rear - Black	1	30	995537	Bracket-Mounting, Grille LH	1
5	995528	Heatshield-Back	1	31	995538	Bracket-Mounting, Grille RH	1
6	995529	Heatshield-Side	2	32	503675	Clip-Starlock, 4 Dia	2
7	586167	Rivet-Pop 4.0 Dia x 4.8	4	33	795501	Door Assy-Complete	
8	995536	Brace-Top, Side Panel	2			- Charcoal VHT	
9	795531	Panel-Side, RH				(incl. items 35-51)	1
		- Charcoal VHT	1	34	795597	• Seal-Door	1
10	501303	Rivet-Pop 4.0 Dia x 7.9	4	35	995511	• Channel Assy-Rope, Hinge	1
11	986149	Spacer-Front Panel	2	36	503009	• Screw, S/T	10
12	503005	Screw; Pan No.10 x 1/2"	4	37	795503	• Panel-Door - Black	1
13	995540	Heatshield-Bottom	1	38	795412	• Seal Kit-Door Glass	1
14	795588	Panel-Pedestal, Back		39	795504	• Frame Assy-Glass	1
		- Charcoal VHT	1	40	795500	• Glass	1
15	503388	Nut-Spire	6	41	795502	• Cover-Door - Charcoal VHT	1
16	503459	Screw, S/T 12 x 25	6	42	795598	Handle Assy-Door,	
17	995612	Bracket-Seismic Restraint	1			(incl. items 44-51)	1
18	795614	Panel-Pedestal, LH Side		43	503006	• Pin-Tension 4 x 16	1
		- Charcoal VHT	1	44	586714	• Handle Assy	1
19	501959	Screw, Set M6 x 12	6	45	595631	• Ferrule	1
20	986413	Bracket-Seismic Restraint	2	46	586722	• Handle-Door	1
21	995543	Panel-Pedestal, Foot		47	595632	• Washer, Flat M10 x 21	1
		- Charcoal		48	595633	• Nut, M10 HEX DOME	1
		(incl. item 22)		49	501704	• Washer, Flat 10 x 21 x 1.6	3
22	795523	• Trim-Pedestal - Charcoal	1	50	986630	• Latch-Door Assy, 10mm	1
23	795590	Panel-Pedestal, Front		51	795530	Panel-Side, LH	
		- Charcoal VHT				- Charcoal VHT	1
		(incl. items 24-25)	1	51a	795702	Panel-Side, LH	
24	995217	• Panel-Pedestal, Front				- Charcoal P/C	1
		- Charcoal VHT	1	52	795630	Grille Assy, Upper - Silver	1
25	503381	• Clip-Starlock, 4 Dia	6	53	795613	Panel-Pedestal, RH Side	
26	585581	• Badge - Silver	1			- Charcoal VHT	1

Bold Text = Assembly
Indented Bullet Points = Item included in Assembly



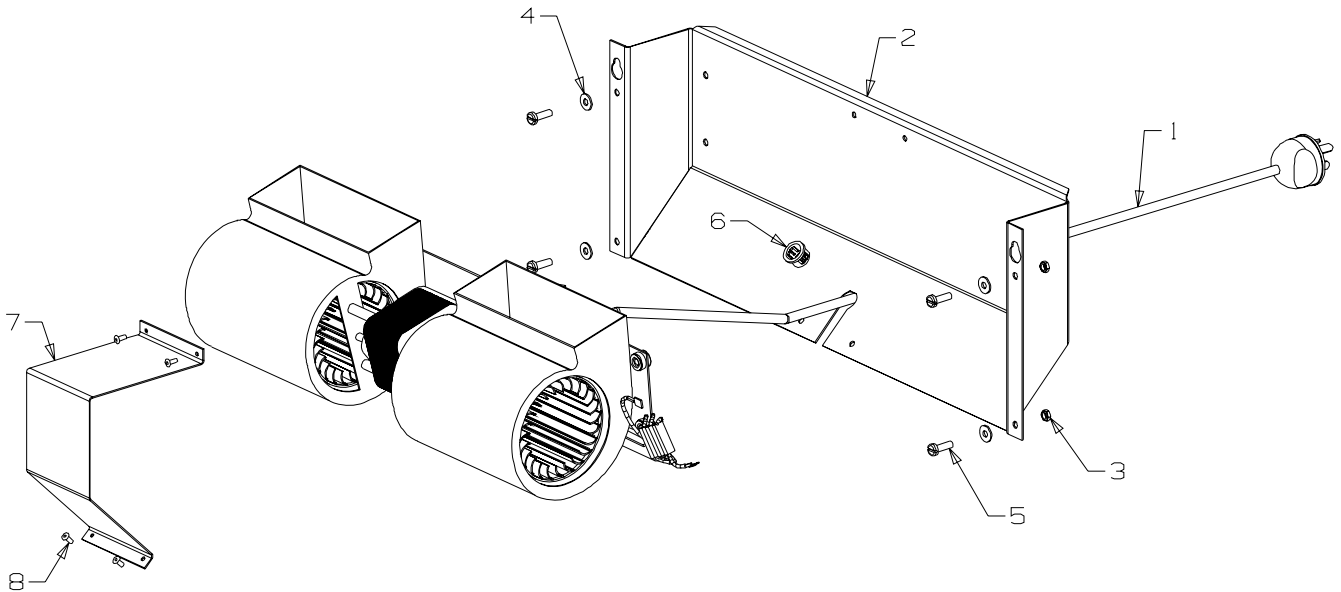


Item	Part No	Description	Qty	Item	Part No	Description	Qty
1	501962	Screw, Set M6 x 30	4	31	586167	• Rivet-Pop 4.0 Dia x 4.8	4
2	795544	Firebox-Top	1	32	500848	• Washer, Flat 3/16" x .5	2
3	984090	Plug Assy-34mm Dia (incl. items 4-7)	2	33	995551	• Extension-Slide, Air Inlet	1
4	501602	• Nut, M8 HEX (2)	28	34	503792	• Screw; Csk No. 8 x 1/2"	1
5	502093	• Washer, Flat 8 x 42	2	35	986162	• Knob-Air Control	1
6		NOT AVAILABLE		36	503336	• Screw, S/T M6 x 25	2
7	501685	• Screw, Set M8 x 30 (2)	6	37	995091	• Spacer-Air Slide	2
8	995541	Bracket-Retaining, Board	2	38	995549	• Slide-Air Inlet 25 x 50 - AUST	1
9	501959	Screw, Set M6 x 12	6	38a	995712	• Slide-Air Inlet "T" - NZ	1
10	987303	Firebox-Back	1	39	995587	Plate, Back-Meter "A" - AUST	1
11	501606	Washer, Flat 8 x 19 x 1.6	14	39a	995711	Plate, Back-Meter "E1" - NZ	1
12	795522	Firebox-RH Side	1	39b	995628	Plate, Back-Meter - Overnight Burn - NZ	1
13	786146	Cover-Secondary Air	2	40	006025	Washer, Flat 5/16"	1
14	503003	Screw; S/T 1/4" x .5 HEX	6	41	995522	Hinge Assy	1
15	995548	Bracket-Cabinet, Mounting	2	42	795558	Firebox-Front	1
16	587108	Rod-Tie, M8	4	43	795229	Deflector-Primary Air	1
17	501597	Screw, Set M8 x 20 HEX	6	44	795517	Firebox-LH Side	1
18	987146	Channel-Brick Retainer S/S	1	45	995288	Tube-Secondary Air, 33 x 3.5 S/S	1
19	787112	Brick-Fire, Back (2 per pack) 223 x 250 x 25	1	46	586439	Pin-Retaining, Secondary Air Tube	2
20	501815	Screw, Set M6 x 35	4	47	787109	Board-Firebox, Top 20 x 290 x 470 (incl. item 48)	1
21	501682	Nut, M6 HEX	19	47a	987373	Board-Firebox, Top - Pack of 5 20 x 290 x 470 (incl. item 48 (5))	1
22	987304	Firebox-Bottom	1		993048	• Channel-Baffle, Reinforcer	5
23	995542	Bracket-Retaining, Board "U"	4	47b	794094	Board-Firebox, Top - Pack of 5 20 x 290 x 470 (incl. item 48 (6))	1
24	795546	Board-Firebox-Side 20 x 143 x 230 (2 per pack) (incl. item 25)	2		993048	• Channel-Baffle, Reinforcer	6
25	995552	• Channel-Brick Retainer	2	48	993048	• Channel-Baffle, Reinforcer	1
26	595545	Pin-Door Latch	1				
27	995524	Ash-Retainer	1				
28	503008	Pin, Tension 8 x 20	4				
29	501963	Screw, Set M6 x 25	2				
30	795549	Slide Assy-Air - AUST (incl. items 31-38)	1				
30a	795714	Slide Assy-Air - NZ (incl. items 31-38)	1				

Bold Text = Assembly
Indented Bullet Points = Item included in Assembly



Three Speed Fan - Double End

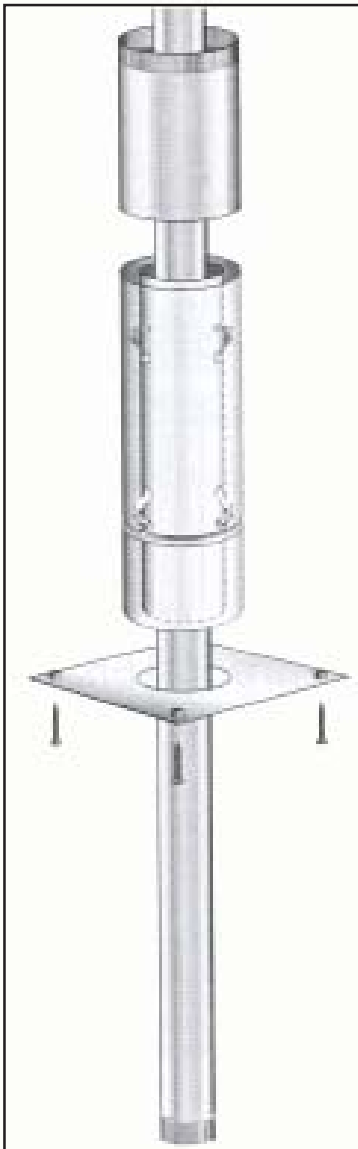


Part No. 995557

Item No	Part No	Description	Qty	Item No	Part No	Description	Qty
1	787125	Fan-3 Speed (Incl. Cord) - Double End	1	5	501580	Screw, Pan M5 x 16	5
2	995226	Panel-Pedestal, Back	1	6	503676	Bush-Plastic	1
3	501856	Nut, M5	5	7	995227	Cover-Fan, Motor	1
4	500848	Washer, Flat 3/16" x .5	5	8	501110	Screw, S/T 6 x .25	6



**ROOF TERMINATION KIT
PART 2**



**STARTER KIT
PART 1**

**Flue Kit (Hi Therm)
- Black - 175mm dia**

NZ ONLY

(to suit Toronto, **Grandview**)

Part 2 Contains:

- 1 x 600mm Outer Slip
- 1 x 400mm Stainless Steel Flue Pipe
- 1 x Top Spider
- 1 x Casing Cover
- 1 x Anti Down Draught Cowl

Part 1 Contains:

- 2 x 1200mm Hi-Therm Flue Pipes
- 1 x 1200mm Stainless Steel Flue Pipe
- 1 x 1200mm Inner / Outer Shield Combination
- 1 x 600mm Outer Shield
- 1 x Ceiling Plate
- 1 x Pack of Screws and Spacer

Note: Flue Reflector is required for standard installations

4 metre kits meet the Flue Pipe requirements of AS/NZS 2918:2001 (4.6m rule) for a standard 2.4m stud height and a wood fire height of 600mm or greater

Part No: SFP1003



175mm (7" Super Single)

AUST ONLY

(to suit: Toronto, **Grandview**)

Contains:

- 7' x 900mm Stainless Steel Flue Lengths
- 3 10.25" x 900mm Galvanised Flue Lengths
- 2 9" x 900mm Decorative Mesh
- 1 7" - 10.25" Cowl
- 1 9" Ceiling Cowl
- 2 Support Angles
- 1 100mm Stainless Steel Collar

Part No: A35615



Item No	Part No	Description	Qty
		NOT ILLUSTRATED	
	585416	Bag-Fire Bedding Sand (Firebox)	2
	584048	Tube-Maniseal (Firebox)	1
	595161	Owners Manual - Grandview S2 - Australia	1
	595715	Owners Manual - Grandview S3 - New Zealand	1
		ASSEMBLYS	
	787300	Firebox Assembly	1
	995556	Pedestal Assy - Packed - Charcoal VHT	1
		ACCESSORIES	
	586044	Hot Water Booster - LE (also need 986788) - New Zealand Only	1
	586266	Paint, Touch Up - Charcoal	1